

## Article

# On the Optimal Selection and Integration of Batteries in DC Grids through a Mixed-Integer Quadratic Convex Formulation

Federico Martin Serra <sup>1</sup>, Oscar Danilo Montoya <sup>2,3,\*</sup>, Lázaro Alvarado-Barrios <sup>4</sup> and Cesar Álvarez-Arroyo <sup>5</sup> and Harold R. Chamorro <sup>6,\*</sup>

- <sup>1</sup> Laboratorio de Control Automático (LCA), Facultad de Ingeniería y Ciencias Agropecuarias, Universidad Nacional de San Luis—CONICET, Villa Mercedes, San Luis 5730, Argentina; fmserra@unsl.edu.ar  
<sup>2</sup> Facultad de Ingeniería, Universidad Distrital Francisco José de Caldas, Bogotá 110231, Colombia  
<sup>3</sup> Laboratorio Inteligente de Energía, Universidad Tecnológica de Bolívar, Cartagena 131001, Colombia  
<sup>4</sup> Department of Engineering, Universidad Loyola Andalucía, 41704 Sevilla, Spain; lalvarado@uloyola.es  
<sup>5</sup> Department of Electrical Engineering, Universidad de Sevilla, 41092 Sevilla, Spain; cesaralvarez@us.es  
<sup>6</sup> Department of Electrical Engineering, KTH Royal Institute of Technology, SE-100 44 Stockholm, Sweden  
\* Correspondence: odmontoyag@udistrital.edu.co (O.D.M.); hr.chamo@ieee.org (H.R.C.)

**Abstract:** This paper deals with the problem of the optimal selection and location of batteries in DC distribution grids by proposing a new mixed-integer convex model. The exact mixed-integer nonlinear model is transformed into a mixed-integer quadratic convex model (MIQC) by approximating the product among voltages in the power balance equations as a hyperplane. The most important characteristic of our proposal is that the MIQC formulations ensure the global optimum reaching via branch & bound methods and quadratic programming since each combination of the binary variables generates a node with a convex optimization subproblem. The formulation of the objective function is associated with the minimization of the energy losses for a daily operation scenario considering high renewable energy penetration. Numerical simulations show the effectiveness of the proposed MIQC model to reach the global optimum of the optimization model when compared with the exact optimization model in a 21-node test feeder. All the validations are carried out in the GAMS optimization software.

**Keywords:** battery energy storage systems; exact mathematical optimization; global optimum finding; mixed-integer quadratic programming; power flow approximation



check for updates

**Citation:** Serra, F.M.; Montoya, O.D.; Alvarado-Barrios, L.; Álvarez-Arroyo, C.; Chamorro, H.R. On the Optimal Selection and Integration of Batteries in DC Grids through a Mixed-Integer Quadratic Convex Formulation. *Electronics* **2021**, *10*, 2339. <https://doi.org/10.3390/electronics10192339>

Academic Editor: Detlef Schulz

Received: 19 August 2021

Accepted: 22 September 2021

Published: 24 September 2021

**Publisher's Note:** MDPI stays neutral with regard to jurisdictional claims in published maps and institutional affiliations.



**Copyright:** © 2021 by the authors. Licensee MDPI, Basel, Switzerland. This article is an open access article distributed under the terms and conditions of the Creative Commons Attribution (CC BY) license (<https://creativecommons.org/licenses/by/4.0/>).

## 1. Introduction

Electrical distribution networks have experienced important paradigm shifts associated with the large-scale insertion of renewable generation based on photovoltaic and wind sources in conjunction with energy storage technologies mainly focused on chemical storage [1–4]. All of these devices are interfaced with the distribution network through the implementation of power electronic converters with alternating current (AC) and direct current (DC) conversion stages as a function of the device interconnected and the technology of operation of the distribution grid, i.e., AC or DC network [5,6]. From the beginning to the electrical networks to our days, the predominant technology for building electrical networks in transmission levels has been the AC technology due to the most of the demands connected to the networks were simple, i.e., electrical rotate machines (induction motors), temperature conditioners, and illumination, among others; however, the nature of the loads have drastically changed with the appearance of computers, electric vehicles, household appliances, and small dispersed generating and storage systems, most of them operated with DC technologies [7–10]. Recent studies have demonstrated the advantages of having distribution networks in medium voltage levels operated with DC technologies due to important reductions in energy losses associated with the distribution activity since the reactive power is compensated directly in the point of connection of the load [11,12].

Recognizing the recent relevance that is having distribution networks operated with DC technologies, this research explores the impact of the integration of battery energy storage systems (BESSs) in these grids, considering the high penetration of renewable generation under an economic dispatch environment [13,14]. In the current literature, the problem of the optimal integration of BESSs has been explored in multiple pieces of research for AC and DC grids; here, we present some of these researches.

Authors of [15] have presented a mixed-integer nonlinear programming (MINLP) model to represent the problem of the optimal location of BESSs in AC distribution grids. To solve this model a decomposition method was proposed where the MINLP model is divided into two optimization sub-problems named planning and operation. In the planning stage is defined the optimal location of the BESSs, while the operation stage is entrusted with their optimal operation. For solving the planning stage the classical simulated annealing algorithm is implemented based on sensitivity indexes associated with the impedance matrix of the network. Numerical validations were carried out in two test feeders composed of 135 and 230 nodes; however, the authors did not provide comparisons with other optimization methodologies to confirm the effectiveness of the proposed approach. In Reference [16], the authors have implemented the problem of the optimal location-reallocation of batteries in DC microgrids by solving the exact MINLP model in the GAMS software. Numerical results were presented in a 21-bus system considering that the initial location of the batteries was heuristically defined by the utility company. The authors do not provide any comparative methodology to demonstrate the efficiency of the proposed optimization methodology since the research is presented in a tutorial style. Soroudi, in Reference [13] has presented different optimization models for the optimal operation of BESSs in electrical AC networks. Three models were presented, which correspond to (i) the economic dispatch model, (ii) the DC equivalent of the AC grid, (iii) and the complete AC model of the grid. All these optimization models were solved in the GAMS optimization package; nevertheless, no comparison with metaheuristic or approximated optimization models were provided, since the intention of the author is to provide optimization tools to introduce engineers in the power system optimization topics from the tutorial point of view. Authors of [17] have presented a master-slave optimization methodology to operate batteries in DC networks considering multiple loads curves and high renewable generation availability. In the master stage was proposed a particle swarm optimizer to define the optimal operation of the batteries during the day, while the slave stage was entrusted with solving the multi-period power flow problem. The objective persecuted by the authors corresponded to the minimization of the energy purchasing cost at the substation node. The proposed methodology was tested in a test feeder composed of 21 nodes, and the efficiency of the methodology was compared with different metaheuristic approaches such as black-hole optimizer and the genetic algorithm. In Reference [18] the authors have proposed the implementation of the genetic algorithm to select and operate BESSs in AC distribution networks. The genetic algorithms were entrusted with determining the size and the operation scheme of the batteries using an integer codification with three possible states to operate these batteries. Numerical results demonstrate that the total grid energy losses is reduced when batteries are installed by using the Baran & Wu test feeder composed of 69 nodes [19]; however, the authors did not provide comparisons with exact or metaheuristics optimizers to confirm the effectiveness of the proposed optimization approach.

Other authors have proposed multiple operative models to coordinate the daily operation of the batteries; some of these approaches are: mixed-integer linear programming [20–22]; second order cone optimization [23–25], semidefinite programming [26]; genetic algorithms [27–29], particle swarm optimization [30,31]; nonlinear programming [32–36], and reinforcement learning for energy system optimization [37,38]. The main characteristic of those researches is that the batteries are modeled through a linear relation between the state-of-charge and the amount of power injected/absorbed into the grid [11]; this linear

representation allows solving efficiently the problem of the optimal dispatch of these batteries in AC and/or DC grids where these are previously located to the network.

To contribute to the research area associated with the optimal integration and operation of BESSs in electrical networks, here, we propose an efficient mixed-integer quadratic convex (MIQC) model to select and size batteries in DC networks. This corresponds to an improvement of the mixed-integer nonlinear programming (MINLP) model proposed in [16], with the main advantage that the optimal location and coordination of the batteries correspond to the global optimal solution of the problem since the MIQC model ensures the finding through the application of the Branch & Bound and interior-point methods [39]. To verify the efficiency of the proposed MIQC model is evaluated in a DC network composed of 21 nodes and its results are compared with the exact MINLP model implemented in the GAMS software.

To demonstrate the novelty of the proposed convex reformulation to select and locate batteries in DC grids, in Table 1 are summarized the main literature reports, by highlighting the type of mathematical models, solution techniques, and objective functions considered.

**Table 1.** Main approaches reported in the specialized literature.

Math. Model	Objective Function	Solution Method	Ref.
MINLP	Minimization of the grid generation costs	General algebraic modeling system	[34]
MINLP	Minimization of energy losses costs and investment costs	Sensitivity index combined with simulated annealing	[15]
MINLP	Minimization of energy losses costs	General algebraic modeling system	[16]
MINLP	Minimization of energy losses costs	Genetic algorithms and multiperiod power flow	[18]
NLP	Simultaneous minimization of energy losses costs and greenhouse gas emissions	General algebraic modeling system	[40]
NLP	Minimization of grid generation costs	General algebraic modeling system	[13]
NLP	Minimization of energy losses costs	Particle swarm optimization and multiperiod power flow	[17]
LP	Minimization of grid operation costs and greenhouse gas emissions	Stochastic linear programming	[20]
MILP	Minimization of the operating costs reduction by promoting self-consumption	General algebraic modeling system	[22]
MILP	Minimization of operative costs in microgrids	Simulation scenarios in the CPLEX solver	[21]
MICP	Minimization of the grid expansion planning costs	CPLEX solver in the AMPL software	[23]
SDP	Minimization of the grid generation costs	Convex solvers in the CVX environment for MATLAB	[26]
SOCP	Minimization of the grid generation costs	Convex solvers in the CVX environment for MATLAB	[25]

Note that the literature reports in Table 1 show that the most common objective functions are associated with the minimization of the grid operating costs and energy losses costs, which supports the selection of the objective function considered in this research to select and integrate BESSs in DC grids. In addition, the proposed MIQC reformulation for the exact MINLP model has not been previously proposed for AC and DC grids, which was identified in this research as a gap in the scientific literature that this investigation tries to fill.

Ahead, this document has the following organization: Section 2 presents the exact MINLP formulation of the problem of the optimal selection and operation of BESSs in DC grids considering as the objective function minimization of the energy losses costs during the period of operation; Section 3 presents the proposed MIQC reformulation by using a Taylor linearization of the product among voltages in the power balance equation; Section 4 presents the main characteristics of the 21-bus system used to validate the proposed optimization methodology. Section 5 presents the main numerical results when comparing the exact MINLP and the proposed MIQC models, including their analysis and discussion. Finally, Section 6 lists the main conclusions obtained from this research.

## 2. General Formulation

The study of the optimal siting and selection of BESS in DC microgrids considering high penetration of renewable sources corresponds to a mixed-integer nonlinear programming formulation that can be represented as a multi-period economic dispatch [15,41]. The nonlinear part of the optimization model is defined by the product among voltages in the power balance constraint [42]; while binary nature is associated with the variables that define the location or not of a BESS in an arbitrary node of the network [16].

### 2.1. Objective Function

Here, we present the exact MINLP for optimal locating-reallocating BESS in DC networks considering as the objective function the minimization of the costs of the daily energy losses.

$$\min f_1 = CoE \sum_{i \in \mathcal{H}} \sum_{i \in \mathcal{B}} v_{i,t} \left( \sum_{j \in \mathcal{B}} G_{ij} v_{j,t} \Delta t \right), \quad (1)$$

where  $f_1$  is the value of the objective function related with the total costs of the daily energy losses,  $CoE_t$  is the average cost of the energy in the spot market;  $v_{i,t}$  and  $v_{j,t}$  are the voltage variables at nodes  $i$  and  $j$  during the period of time  $t$ , respectively.  $G_{ij}$  corresponds to the conductance parameter that relates nodes  $i$  and  $j$ ;  $\Delta t$  represents the length of the time period where the demand and generation are assumed constant; this parameter can be 1 h, 30 min, or 15 min, depending on the data resolution. It should be noted that  $\mathcal{H}$  and  $\mathcal{B}$  are the sets that contain all the periods of time and all the buses of the network, respectively.

**Remark 1.** The main characteristic of the objective function  $f_1$  is that it corresponds to an algebraic sum of quadratic terms with the main advantage that its combination is convex, since the conductance matrix, i.e.,  $\mathbf{G}$ , is a positive definite [43]; which implies that this objective function can be rewritten as follows

$$f_1 = CoE \sum_{t \in \mathcal{H}} \left( v_t^T \mathbf{G} v_t \right) \Delta t, \quad (2)$$

where  $v_t$  is the vector that contains all the nodal voltages at each period of time.

It is worth mentioning that the minimization of the objective function (2) involves the improvement of the voltage profiles in all the nodes of the networks since the total grid energy losses are a nonlinear function of the voltage profiles. In addition, due to the presence of the conductance matrix in this objective function, the usage of the renewable energies are in general maximized, since these helps with local power injection that reduces the current magnitudes provided by the slack source. For this reason, as confirmed by Table 1, in this research the minimization of the total costs of the energy losses is selected as the performance index for our proposed MIQC model.

### 2.2. Set of Constraints

The problem of the optimal selection and operation BESSs in DC grids includes multiple constraints: power balance, state-of-charge (SoC) in batteries, devices' capabilities, voltage regulation bounds, and the maximum number of BESSs that can be installed along the grid [17], among others. In this paper, the complete list of constraints considered is presented below.

$$p_{i,t} + p_{i,t}^{dg} + \sum_{b \in \mathcal{E}} p_{i,t}^b - p_{i,t}^d = v_{i,t} \sum_{j \in \mathcal{B}} G_{ij} v_{j,t}, \quad \{\forall i \in \mathcal{B} \ \& \ \forall t \in \mathcal{H}\} \quad (3)$$

$$SoC_{i,t}^b = SoC_{i,t-1}^b - \varphi_i^b p_{i,t}^b \Delta t, \quad \{\forall b \in \mathcal{E}, \ \forall i \in \mathcal{B} \ \& \ \forall t \in \mathcal{H}\} \quad (4)$$

$$SoC_{i,t_0}^b = x_i^b SoC_i^{b,ini}, \quad \{\forall b \in \mathcal{E} \ \& \ \forall i \in \mathcal{B}\} \quad (5)$$

$$SoC_{i,t_f}^b = x_i^b SoC_i^{b,fin}, \{\forall b \in \mathcal{E} \ \& \ \forall i \in \mathcal{B}\} \quad (6)$$

$$p_{i,t}^{\min} \leq p_{i,t} \leq p_{i,t}^{\max}, \{\forall i \in \mathcal{B} \ \& \ \forall t \in \mathcal{H}\} \quad (7)$$

$$p_{i,t}^{dg,\min} \leq p_{i,t}^{dg} \leq p_{i,t}^{dg,\max}, \{\forall i \in \mathcal{B} \ \& \ \forall t \in \mathcal{H}\} \quad (8)$$

$$x_i^b p_i^{b,\min} \leq p_{i,t}^b \leq x_i^b p_i^{b,\max}, \{\forall b \in \mathcal{E}, \ \forall i \in \mathcal{B} \ \& \ \forall t \in \mathcal{H}\} \quad (9)$$

$$v_i^{\min} \leq v_{i,t} \leq v_i^{\max}, \{\forall i \in \mathcal{B} \ \& \ \forall t \in \mathcal{H}\} \quad (10)$$

$$x_i^b SoC_i^{b,\min} \leq SoC_{i,t}^b \leq x_i^b SoC_i^{b,\max}, \{\forall b \in \mathcal{E}, \ \forall i \in \mathcal{B} \ \& \ \forall t \in \mathcal{H}\} \quad (11)$$

$$\sum_{b \in \mathcal{E}} \sum_{i \in \mathcal{B}} x_i^b = N_b^{\max}, \quad (12)$$

where  $p_{i,t}$ ,  $p_{i,t}^{dg}$ ,  $p_{i,t}^b$ , and  $p_{i,t}^d$  are the power produced by the slack and disperse sources, the power absorbed/provided by the BESSs, and the constant power consumption at node  $i$  in the time period  $t$ , respectively;  $SoC_{i,t}^b$  is the BESS' state-of-charge which is connected at node  $i$  in the period of time  $t$ ;  $x_i^b$  represents a binary variable associated with the locating possibility of the BESS  $b$  at node  $i$ ;  $SoC_i^{b,ini}$  and  $SoC_i^{b,fin}$  are the initial and final projected states of charge of the batteries, respectively, while  $SoC_i^{b,\min}$  and  $SoC_i^{b,\max}$  represent the minimum and maximum limits of the state-of-charge variables;  $p_{i,t}^{\min}$ ,  $p_{i,t}^{\max}$ ,  $p_{i,t}^{dg,\min}$ , and  $p_{i,t}^{dg,\max}$  correspond to the minimum and maximum limits of admissible generation for conventional and disperse generation sources located connected at node  $i$  in time period of time  $t$ , respectively, while  $p_i^{b,\min}$  and  $p_i^{b,\max}$  define the minimum and maximum charge/discharge capacities for the battery located at node  $i$ ;  $v_i^{\min}$  and  $v_i^{\max}$  define the voltage regulation limits of the DC network. Finally,  $\varphi_i^b$  is the charge coefficient associated with the BESS connected at node  $i$ . Note that  $N_b^{\max}$  is the maximum number of BESS available for being introduced in the DC grid, and  $\mathcal{E}$  is the set that includes all the BESS technologies available.

### 2.3. Model Interpretation

The exact MINLP formulation (1) to (12) can be understood as follows: Equation (1) and its matricial form defined in (2) correspond to the objective function of the optimization problem that defines the daily cost of the energy losses of the network associated with the energy dissipation in all the distribution lines of the distribution system. Equality constraint (3) defines the power balance at each node of the network which results from the application of the nodal voltage method to the grid with constant power consumption; Equation (4) defines the linear relation between the state-of-charge of the battery and its power delivered/consumed [13]; Equations (5) and (6) define the operative characteristics for operating BEESs, which are the desired initial and final SoCs typically defined by the distribution company. Equations (7)–(9) define the upper and lower power limits for the slack and disperse generation sources as well as for BESSs, respectively. In Equation (10), the voltage regulation constraints are set. Inequality constraint (11) presents the upper and lower bounds for the SoCs in BESSs; Equation (12) defines the maximum number of BESSs available for installation in the DC distribution grid.

**Remark 2.** The main complication of the MINLP model (1)–(12) corresponds to the power equilibrium constraints (see Equation (3)) since this is non-convex owing the products among continuous variables, i.e., voltages in all the nodes [42].

This set of equality constraints (power balance equations) will be treated with a Taylor-based linearization to become the MINLP model into a MIQC model as the main contribution of this work as will be presented in the next section.



### 3. Mixed-Integer Quadratic Reformulation

To deal with the MINLP model that represents the problem of the optimal selection and location of batteries in DC distribution grids, we present the proposed MIQC reformulation based on the linearization of the product among two continuous variables present in the power balance constraint (3). This linearization is based on the convex representation of the load flow problem for DC distribution grids proposed in [44]. The linearization of the product of two continuous variables is detailed as follows.

Let us suppose that a function to represent the product between two continuous positive variables defined as:

$$f(\omega_1, \omega_2) = \omega_1 \omega_2, \quad (13)$$

In addition, consider that the initial value assignable to these variables are  $\omega_{10}$  and  $\omega_{20}$ , which implies that after applied the Taylor' series expansion to (13), the following representation for this product between two continuous variables is obtained,

$$f(\omega_1, \omega_2) = \omega_{20}\omega_1 + \omega_{10}\omega_2 - \omega_{10}\omega_{20} + f_{\text{H.O.T}}(\omega_1, \omega_2, \omega_{10}, \omega_{20}), \quad (14)$$

where  $f_{\text{H.O.T}}(\cdot)$  models the high-order-terms in the Taylor's series expansion. To obtain a linear approximation of the product between two variables, the high-order-terms in  $f_{\text{H.O.T}}(\cdot)$  can be neglected due to their small contribution around the operating point  $(\omega_{10}, \omega_{20})$ .

When the linear approximation defined in (14) is applied to electrical networks to transform the power balance set of constraints in (3), the following linear equivalent set of constraints is obtained [44].

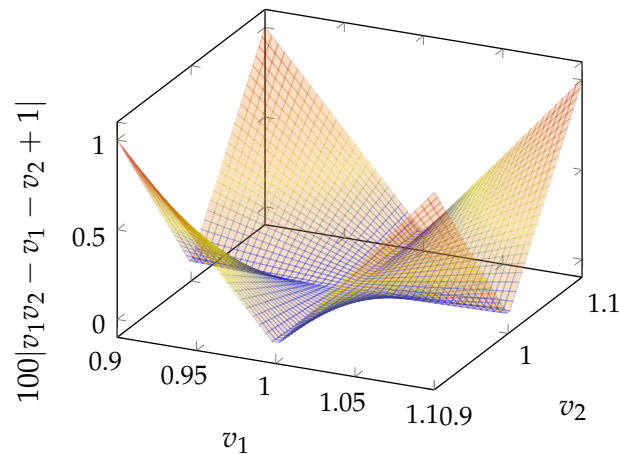
$$p_{i,t} + p_{i,t}^{dg} + \sum_{b \in \mathcal{E}} p_{i,t}^b - p_{i,t}^d = \sum_{j \in \mathcal{B}} G_{ij} (v_{i,t} v_{j0,t} + v_{i0,t} v_{j,t} - v_{i0,t} v_{j0,t}), \quad \{\forall i \in \mathcal{B} \ \& \ \forall t \in \mathcal{H}\} \quad (15)$$

where  $v_{i0,t}$  and  $v_{j0,t}$  represent the linearization points for the voltage profiles at each period of time; where if the per-unit representation is used, then these values are equal to 1.00 pu [44].

To demonstrate the effectiveness of the linearization of the product between voltages around the operative point  $(v_{10}, v_{20}) = (1, 1)$  a graphic comparison between the non-linearised and the linearised representation is considered for two small load systems. Considering a grid with two demand nodes with lower and upper voltage regulation bounds of 0.90 pu and 1.10 pu, the error between the nonlinear function in (13) and the linear representation (14) is presented in Figure 1.

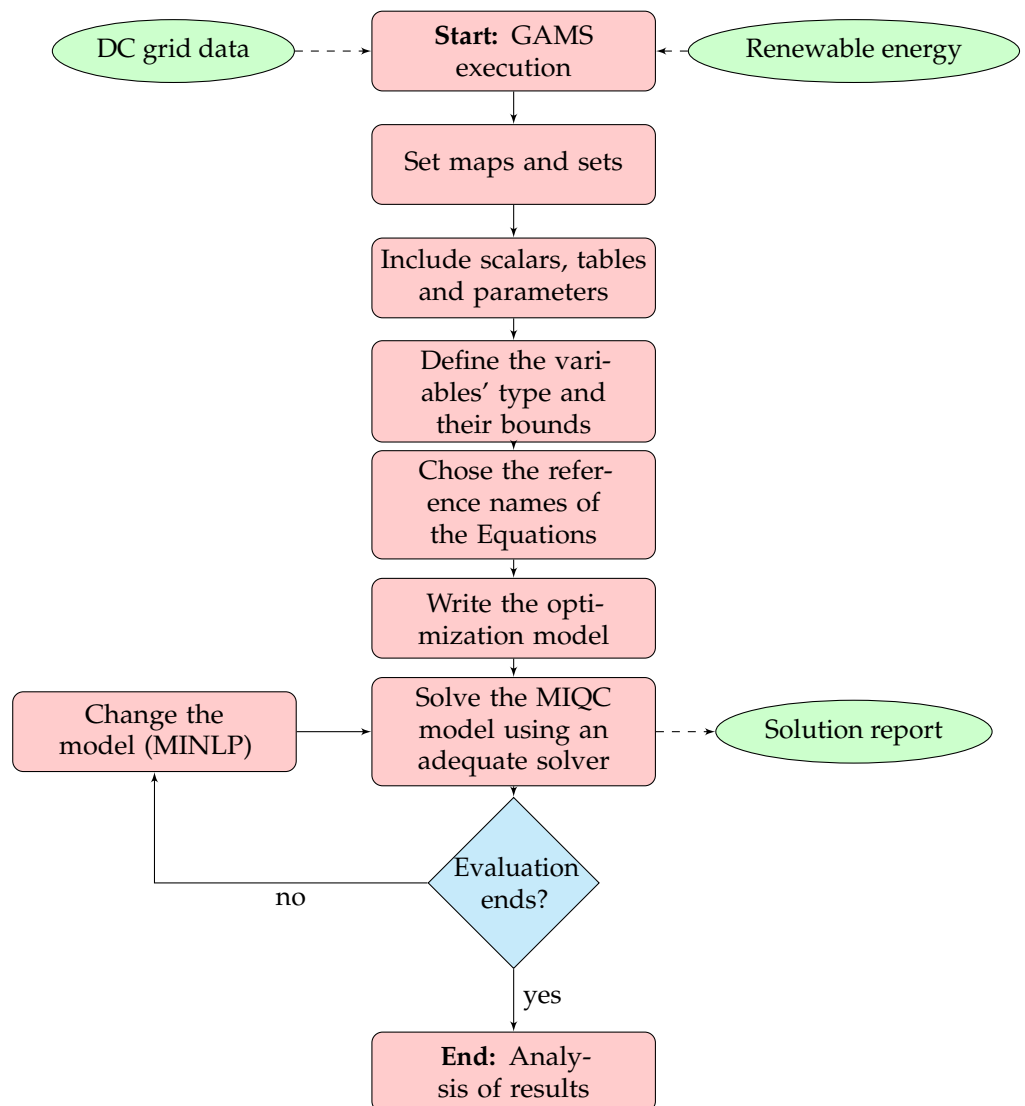
Note that the percentage error depicted in Figure 1 shows that the linearization of the product between voltages has an estimation error of about 1% in the extreme voltage points, which confirms that the linear representation in (14) is suitable to represent the product of the voltage variables as was redefined in Equation (15).

**Remark 3.** Once the power balance equations are linearized as defined in (15), the complete structure of the proposed MIQC is composed by the objective function (1) or (2) and the restrictions (4)–(12) and (15).



**Figure 1.** Percentage of error when compared the convex approximation and the exact product of two positive variables around the operative point  $(x_0, y_0) = (1, 1)$ .

To summarize the solution methodology for the proposed MIQC model and the exact MINLP formulation in Figure 2 is presented the flow diagram of both mathematical models in the GAMS software [13].



**Figure 2.** Procedure to solve an optimization model in GAMS.

### 4. Analysis of a DC Network

To validate the MIQC model for the optimal selection and location of BESSs in DC networks using the GAMS software we use the 21-node test feeder reported in [16]. The complete information of this test feeder is presented below.

The 21-bus system corresponds to a radial DC network with 21 nodes and 20 branches with a radial configuration. A controlled voltage source is sited at node 1, which defines the voltage profile of the network in 1 kV. The connection among nodes in this test feeder is presented in Figure 3.

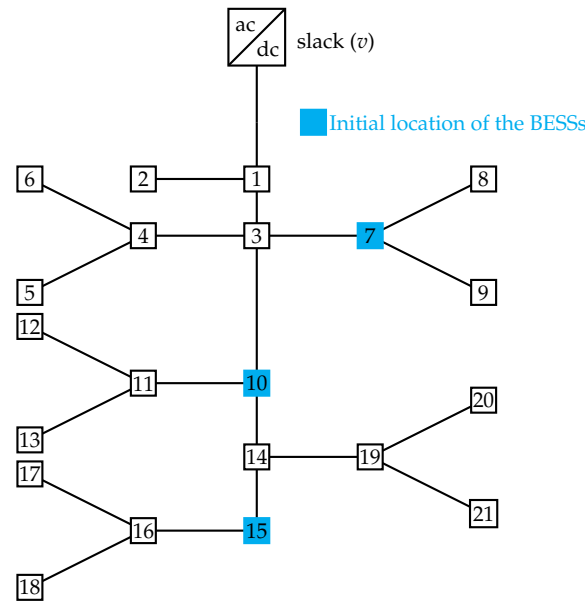


Figure 3. Electrical topology for the 21-bus system.

The information regarding constant power consumption, energy purchasing cost, variation of the demand along the day, and the location of the BESSs in this test feeder is reported in Tables 2–4.

Table 2. Data for the 21-bus system.

From <i>i</i>	To <i>j</i>	$R_{ij}$ (pu)	$P_j$ (pu)	From <i>i</i>	To <i>j</i>	$R_{ij}$ (pu)	$P_j$ (pu)	From <i>i</i>	To <i>j</i>	$R_{ij}$ (pu)	$P_j$ (pu)
1 (slack)	2	0.0053	0.70	7	9	0.0072	0.80	15	16	0.0064	0.23
1	3	0.0054	0.00	3	10	0.0053	0.00	16	17	0.0074	0.43
3	4	0.0054	0.36	10	11	0.0038	0.45	16	18	0.0081	0.34
4	5	0.0063	0.04	11	12	0.0079	0.68	14	19	0.0078	0.09
4	6	0.0051	0.36	11	13	0.0078	0.10	19	20	0.0084	0.21
3	7	0.0037	0.00	10	14	0.0083	0.00	19	21	0.0081	0.21
7	8	0.0079	0.32	14	15	0.0065	0.22	–	–	–	–

Parameters in per-unit representation using the following bases  $P_{base} = 100$  kW and  $V_{base} = 1$  kV.



**Table 3.** Hourly demand behavior and energy buying costs.

Time (h)	CoE (pu)	Dem. Var. (%)	Time (h)	CoE (pu)	Dem. Var. (%)	Time (h)	CoE (pu)	Dem. Var. (%)
0.5	0.8105	34	8.5	0.9263	62	16.5	0.9737	90
1.0	0.7789	28	9.0	0.9421	68	17.0	1	90
1.5	0.7474	22	9.5	0.9579	72	17.5	0.9947	90
2.0	0.7368	22	10.0	0.9579	78	18.0	0.9895	90
2.5	0.7263	22	10.5	0.9579	84	18.5	0.9737	86
3.0	0.7316	20	11.0	0.9579	86	19.0	0.9579	84
3.5	0.7368	18	11.5	0.9579	90	19.5	0.9526	92
4.0	0.7474	18	12.0	0.9526	92	20.0	0.9474	100
4.5	0.7579	18	12.5	0.9474	94	20.5	0.9211	98
5.0	0.8000	20	13.0	0.9474	94	21.0	0.8947	94
5.5	0.8421	22	13.5	0.9421	90	21.5	0.8684	90
6.0	0.8789	26	14.0	0.9368	84	22.0	0.8421	84
6.5	0.9158	28	14.5	0.9421	86	22.5	0.7947	76
7.0	0.9368	34	15.0	0.9474	90	23.0	0.7474	68
7.5	0.9579	40	15.5	0.9474	90	23.5	0.7211	58
8.0	0.9421	50	16.0	0.9474	90	24.0	0.6947	50

The cost of the energy is assumed as COP\$/kWh 479.3389 (CODENSA utility in Colombia [16]).

**Table 4.** BESSs information.

Node	Type	$\varphi^b$	$p^{b,max}$	$p^{b,min}$
7	A	0.0625	4	-3.2
10	B	0.0813	3.2	-2.4616
15	B	0.0813	3.2	-2.4616

Two distributed generators (DGs) are considered in the the 21-bus system, one wind power generator and one photovoltaic system. The wind power generator is located at node 12 with a maximum power rate of 221.52 kW. The photovoltaic source is located at node 21 with a maximum power rate of 281.58 kW. It is worth mentioning that the rated power of the DGs will multiply the normalized generation curves presented in Table 5.

**Table 5.** Normalized Curve of generation: Wind power generator and PV system.

Time (h)	$P_{WT}$ (pu)	$P_{PV}$ (pu)	Time (h)	$P_{WT}$ (pu)	$P_{PV}$ (pu)	Time (h)	$P_{WT}$ (pu)	$P_{PV}$ (pu)
0.5	0.6303	0	8.5	0.8271	0.0403	16.5	0.9892	0.4193
1.0	0.6194	0	9.0	0.8523	0.1344	17.0	0.9652	0.2784
1.5	0.6098	0	9.5	0.8788	0.2710	17.5	0.9244	0.1373
2.0	0.6050	0	10.0	0.9064	0.3673	18.0	0.8607	0.0374
2.5	0.6122	0	10.5	0.9328	0.4584	18.5	0.7743	0.0007
3.0	0.6411	0	11.0	0.9520	0.6125	19.0	0.7251	0
3.5	0.6927	0	11.5	0.9640	0.8134	19.5	0.7167	0
4.0	0.7395	0	12.0	0.9700	0.9122	20.0	0.7167	0
4.5	0.7779	0	12.5	0.9748	0.9633	20.5	0.7251	0
5.0	0.7887	0	13.0	0.9784	1.0000	21.0	0.7263	0
5.5	0.7671	0	13.5	0.9832	0.9582	21.5	0.7179	0
6.0	0.7479	0	14.0	0.9880	0.8791	22.0	0.7095	0
6.5	0.7287	0	14.5	0.9940	0.7308	22.5	0.6987	0
7.0	0.7371	0	15.0	0.9988	0.7645	23.0	0.6915	0
7.5	0.7731	0	15.5	1.0000	0.6866	23.5	0.6867	0
8.0	0.8031	0.0016	16.0	0.9964	0.5893	24.0	0.6831	0

## 5. Implementation and Results

The implementation of the proposed MIQC model and the exact MINLP model was made on a desktop computer running on INTEL(R) Core(TM) i7-7700, 3.60 GHz, 8 GB RAM with 64-bit Windows 10 Pro (Intel, Santa Clara, CA, USA). The optimization package corresponds to the GAMS software version 25.1.3 using the BONMIN solver.

To evaluate the performance of the BESSs in the DC network in all the simulations is considered that the initial and the final state-of-charge are assigned as 50%, and along the day this variable can vary from 10% to 90% [36]. In addition, three simulation cases are studied as follows:

- Case 1: The initial location of the BESSs is tested in the exact MINLP model and the MIQC model to determine the error introduced by the Taylor approximation in the daily cost of the energy losses. Note that this simulation case solves the power flow problem with multiple periods since the binary variables related with BESSs are fixed, i.e., the MINLP model becomes into a nonlinear programming model and the MIQC model becomes a quadratic convex model.
- Case 2: The selection and location of the BESSs is determined by solving the exact MINLP model.
- Case 3: The selection and location of the BESSs is defined by the solution of the MIQC model.

The main idea of the proposed simulation scenarios is to verify the effect of the proposed approximated MIQC model to select, locate and operate batteries in DC networks when compared with the exact MINLP model. For this reason, both models are implemented in the same optimization environment (i.e., GAMS interface). Regarding processing times, both optimization models take less than 5 min to be solved, which implies that for the 21-node test system the proposed optimization model allows evaluating multiple operative conditions (generation and demand combinations) to define the best operative scheme of the batteries, once these batteries have been installed, by ensuring that each solution will be optimal.

### 5.1. Comparative Results in the Case 1

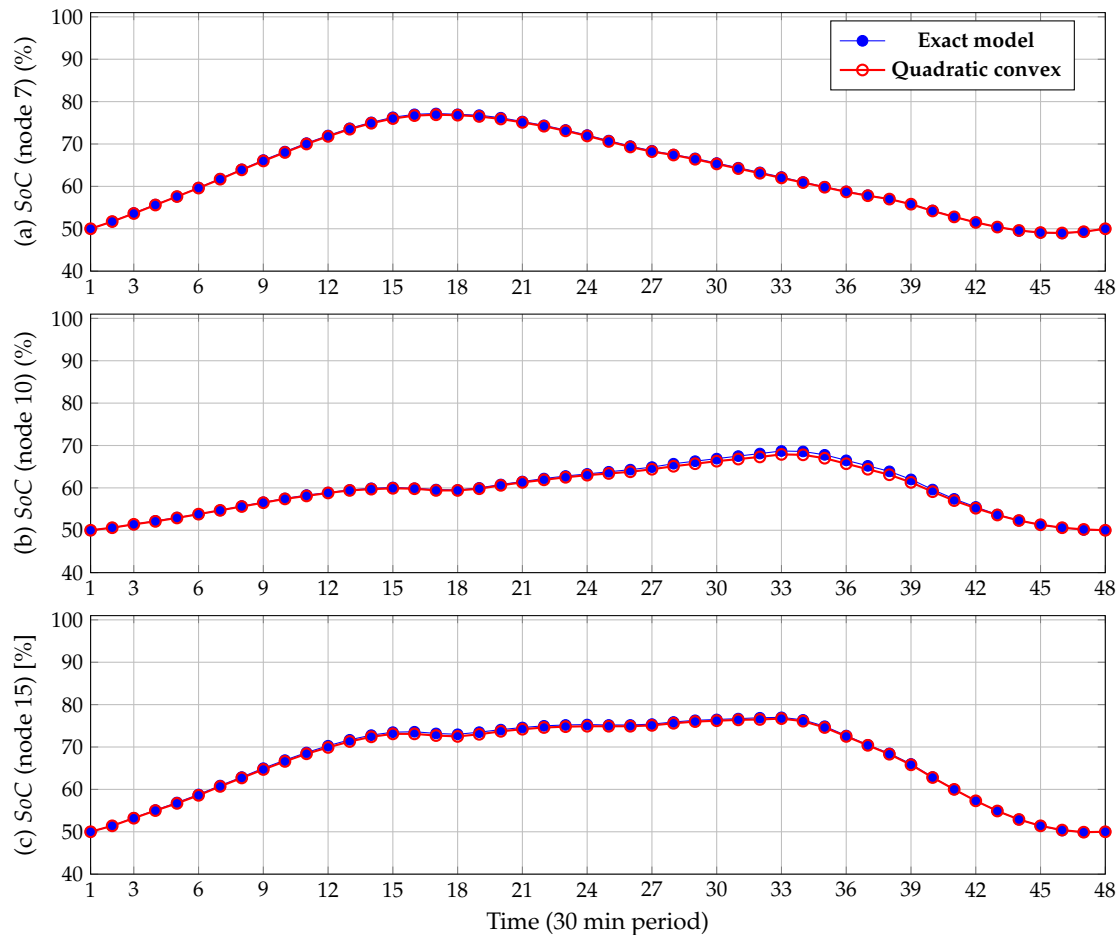
In this simulation case, the initial BESS location is presented in Table 4 and Figure 3 are fixed into the exact MINLP and the MIQC model.

Once the exact MINLP model is solved in the GAMS package with the DICOPT solver, it is found a total daily cost of the energy losses of COP \$52957.92; while the solution of the MIQC model with the same solver provides an optimal solution with a cost of COP \$50,890.12. The difference between both solutions is about 3.90%, which corresponds to the approximation error between the exact and approximated power balance equations (see Equations (3) and (15)). In Figure 4 are reported the profiles of the state-of-charge of the batteries obtained with the exact and the convex approximation models.

The behavior of the state of the charge in the exact and convex model follows the same tendency with negligible errors, which confirms the effectiveness of the quadratic convex approximated model to operate batteries in DC networks. The main advantage of the quadratic approximation is that the existence of the global optimal solution is ensured via convexity theory, which is indeed more attractive for the grid operation since the solution with the same inputs will always be the same, which is not possible to ensure with nonlinear programming models or solution techniques based on metaheuristics. It is worth mentioning that if the solution provided by the proposed quadratic model is evaluated in the exact nonlinear model, then, the error in the estimation of the daily energy losses costs is less than 0.5%, which demonstrate the effectiveness of our proposal to determine the operative plan of BESSs under an economic dispatch environment for DC networks.

With respect to the behavior of the state of charge for all the BESSs depicted in Figure 4, we can observe that: (i) all the batteries begin and finish the day with the operative consign assigned, i.e., 50 % of the state of charge; (ii) the maximum value of the state of charge is about 77.20% for the battery located at node 7, and the minimum value occurs for the same battery with a value of 48.90%; these values imply that the batteries maintain during all the day values between their minimum and maximum bounds, i.e., from 10% to 90%; and (iii) the behavior of the state of charge at each battery is different since this depends on its location and the possibility of absorbing energy from the renewable energy source to return this energy to the grid when the load increases. Note for example that the BESS

located at node system provides energy to the grid after period 21, while the remainder BESSs returns energy to the grid only after period 33, these behaviors confirm the complex relation among demand, power generation, and batteries to reach the minimization of the daily energy losses costs in the DC grid.



**Figure 4.** Profile of the state of charge in all the batteries with the exact and convex quadratic models: (a) SoC profile at node 7, (b) SoC profile at node 10, and (c) SoC profile at node 15.

5.2. Comparative Results between Case 2 and Case 3

To determine the effectiveness and robustness of the proposed MIQC model to select and locate BESSs in DC networks, here, we compared the solution provided with the exact MINLP formulation and our proposed convex approximation. The solution of the exact MINLP and the MIQC models are obtained with the GAMS optimization package using the BONMIN solver. The objective function value for both models as well as the battery locations are reported in Table 6.

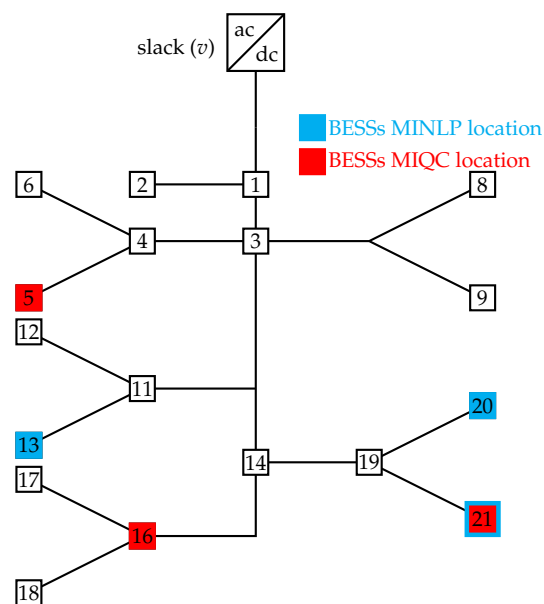
**Table 6.** Optimal selection and location of the BESSs with the exact MINLP and the proposed MIQC models.

Model Type	Location and Type of the BESS	Losses Cost (COP\$)	Error MINLP (%)
MINLP	{13(A), 20(B), 21(B)}	47209.95	0.00
MIQC	{5(A), 16(B), 21(B)}	41627.34	3.49

Results in Table 6 show that: (i) the BESSs’ location found by the exact MINLP model are the nodes 13, 20 and 21, with an objective function of COP \$47,209.95, i.e., a reduction with respect to the base case of 10.85%. The solution of the exact MINLP model reallocates

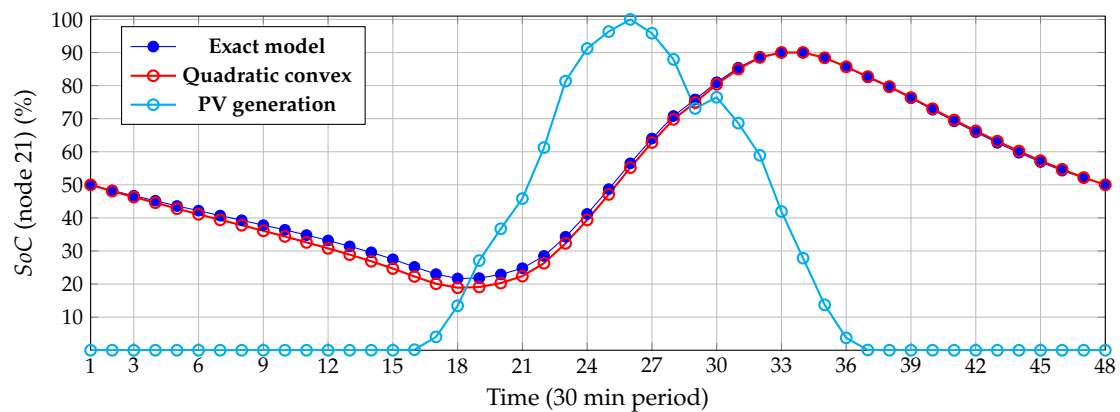
all the batteries with respect to the benchmark case, which implies that the solution of the optimization model to select and locate the BESSs in the DC network is better than the heuristic approach reported in [36]; (ii) the proposed MIQC model finds a better optimal solution with an objective value of COP \$41,627.34, which has an estimation error with respect to the evaluation of the BESSs' location in the exact model about 3.49%, which implies that the location of the batteries in nodes 5, 16, and 21 provides a daily energy losses cost of COP \$43,134.59 (note that this objective function value corresponds to the evaluation of the batteries' location provided by our proposed MIQC model into the exact MINLP approach to eliminate the estimation error introduced with the model linearization). This objective function shows that with respect to the benchmark case the effective reduction of the daily energy losses cost is about 18.55% when the MIQC model is used to select and locate the BESSs in the DC grid; and (iii) the effective improvement of the proposed MIQC model with respect to the exact MINLP formulation is about 8.63%.

Figure 5 presents the final location of the BESSs system obtained for the exact MINLP and the proposed MIQC model, where we can observe that only node 21 appears in both solutions, this is due to the presence of a distributed generator in this node that allows storing energy in the periods of high generation and low demand. To illustrate the behavior of the BESSs in both models, we also present the state-of-charge profile in this node for both solutions compared with the generation curve in this node.



**Figure 5.** BESSs' locations obtained with the exact MINLP and the proposed MIQC model.

Figure 6 shows that: (i) both optimization models present a similar state-of-charge behavior at node 21; however, the proposed MIQC model provides additional energy to the grid which helps with the total energy losses cost minimization (see periods of time between 3 to 33) and (ii) both batteries provide energy in the initial period of time (from 1 to 18) since this energy will recover in the period of times where the PV source increases its power injection (see periods of time between 15 to 33) to help with additional power injections in the periods of time that the PV source decreases (periods 33 to 48) and the demand increase, i.e., periods of time from 33 and beyond.



**Figure 6.** Behavior of the state-of-charge at node 21 for the exact MINLP and the proposed MIQC model compared with the PV generation in the same node.

## 6. Conclusions

This paper studied the problem of the optimal selection and location of the BESSs in DC grids by transforming the exact MINLP formulation into a MIQC equivalent. This transformation was applied to the power balance constraint using Taylor's series expansion applied to the product among voltages at each node. The proposed obtained MIQC model has as the main advantage that it ensures the global optimal reaching via Branch & Bound and interior-point methods. Numerical results demonstrated that the error introduced by the Taylor's approximation is less than 4.0 % for in the economic dispatch analysis when batteries are considered fixed.

When the exact MINLP and the proposed MIQC models are solved in the GAMS software with the BONMIM solver the numerical results demonstrated that the MINLP model obtains a reduction of 10.85% in the daily energy losses cost when compared to the benchmark case by reallocating the BESSs in nodes {13(A), 20(B), 21(B)}; however, the proposed MIQC model allowed a reduction of 18.55% in the daily grid operation costs by reassigning batteries at nodes {5(A), 16(B), 21(B)}. The net difference between both models was about 7.70% in favor of the proposed MIQC model when compared with the exact MINLP formulation, which confirmed the robustness and effectiveness of the proposed convex formulation to select and locate BESSs in DC networks.

It will be possible to develop the following future researches: (i) to include in the proposed MIQC model the possibility of doing the location of renewable energy sources and batteries for DC networks simultaneously; (ii) reformulate the exact MINLP model as a mixed-integer conic model to size and locate batteries in DC grids by minimizing the total cost estimation error; and (ii) improve the battery models with temperature and degradation factors using reinforcement learning techniques for being integrated into AC and DC networks considering different objective functions such as voltage maximization or renewables usage maximization.

**Author Contributions:** Conceptualization, F.M.S., O.D.M., L.A.-B., C.Á.-A. and H.R.C.; Methodology, F.M.S., O.D.M., L.A.-B., C.Á.-A. and H.R.C.; Investigation, F.M.S., O.D.M., L.A.-B., C.Á.-A. and H.R.C.; Writing—review and editing, F.M.S., O.D.M., L.A.-B., C.Á.-A. and H.R.C. All authors have read and agreed to the published version of the manuscript.

**Funding:** This work was partially supported in part by the Laboratorio de Simulación Hardware-in-the-loop para Sistemas Ciberfísicos de la Universidad Loyola Andalucía.

**Data Availability Statement:** No new data were created or analyzed in this study. Data sharing is not applicable to this article.

**Acknowledgments:** This work was supported in part by the Centro de Investigación y Desarrollo Científico de la Universidad Distrital Francisco José de Caldas under grant 1643-12-2020 associated with the project: "Desarrollo de una metodología de optimización para la gestión óptima de recursos

energéticos distribuidos en redes de distribución de energía eléctrica.” and in part by the Dirección de Investigaciones de la Universidad Tecnológica de Bolívar under grant PS2020002 associated with the project: “Ubicación óptima de bancos de capacitores de paso fijo en redes eléctricas de distribución para reducción de costos y pérdidas de energía: Aplicación de métodos exactos y metaheurísticos.”

**Conflicts of Interest:** The authors declare no conflict of interest.

## References

- Guerrero, J.; Blaabjerg, F.; Zhelev, T.; Hemmes, K.; Monmasson, E.; Jemei, S.; Comech, M.; Granadino, R.; Frau, J. Distributed Generation: Toward a New Energy Paradigm. *IEEE Ind. Electron. Mag.* **2010**, *4*, 52–64. [\[CrossRef\]](#)
- Saberi, H.; Nazaripouya, H.; Mehraeen, S. Implementation of a Stable Solar-Powered Microgrid Testbed for Remote Applications. *Sustainability* **2021**, *13*, 2707. [\[CrossRef\]](#)
- Akinyele, D.; Rayudu, R. Review of energy storage technologies for sustainable power networks. *Sustain. Energy Technol. Assess.* **2014**, *8*, 74–91. [\[CrossRef\]](#)
- Pandey, G.; Singh, S.N.; Rajpurohit, B.S.; Gonzalez-Longatt, F.M. Smart DC Grid for Autonomous Zero Net Electric Energy of Cluster of Buildings. *IFAC-PapersOnLine* **2015**, *48*, 108–113. [\[CrossRef\]](#)
- Blaabjerg, F.; Yang, Y.; Ma, K.; Wang, X. Advanced Grid Integration of Renewables Enabled by Power Electronics Technology. In *Nachhaltige Energieversorgung und Integration von Speichern*; Springer Fachmedien: Wiesbaden, Germany, 2015; pp. 3–9. [\[CrossRef\]](#)
- Carrasco, J.; Franquelo, L.; Bialasiewicz, J.; Galvan, E.; PortilloGuisado, R.; Prats, M.; Leon, J.; Moreno-Alfonso, N. Power-Electronic Systems for the Grid Integration of Renewable Energy Sources: A Survey. *IEEE Trans. Ind. Electron.* **2006**, *53*, 1002–1016. [\[CrossRef\]](#)
- Wehbring, N.; Bleilevens, R.; Tepassee, B.; Priebe, J.; Moser, A. Strategies to convert AC into DC Medium Voltage Grids. In Proceedings of the 2018 53rd International Universities Power Engineering Conference (UPEC), Glasgow, UK, 4–7 September 2018. [\[CrossRef\]](#)
- Shaqsi, A.Z.A.; Sopian, K.; Al-Hinai, A. Review of energy storage services, applications, limitations, and benefits. *Energy Rep.* **2020**, *6*, 288–306. [\[CrossRef\]](#)
- Gonzalez-Longatt, F.; Sanchez, F.; Singh, S.N. On the topology for a smart direct current microgrid for a cluster of zero-net energy buildings. In *Distributed Energy Resources in Microgrids*; Elsevier: Amsterdam, The Netherlands, 2019; pp. 455–481. [\[CrossRef\]](#)
- Wei, Z.; Quan, Z.; Wu, J.; Li, Y.; Pou, J.; Zhong, H. Deep Deterministic Policy Gradient-DRL Enabled Multiphysics-Constrained Fast Charging of Lithium-Ion Battery. *IEEE Trans. Ind. Electron.* **2021**, in press. [\[CrossRef\]](#)
- Montoya, O.D.; Serra, F.M.; Angelo, C.H.D. On the Efficiency in Electrical Networks with AC and DC Operation Technologies: A Comparative Study at the Distribution Stage. *Electronics* **2020**, *9*, 1352. [\[CrossRef\]](#)
- Stieneker, M.; Doncker, R.W.D. Medium-voltage DC distribution grids in urban areas. In Proceedings of the 2016 IEEE 7th International Symposium on Power Electronics for Distributed Generation Systems (PEDG), Vancouver, BC, Canada, 27–30 June 2016. [\[CrossRef\]](#)
- Soroudi, A. *Power System Optimization Modeling in GAMS*; Springer: Berlin/Heidelberg, Germany, 2017. [\[CrossRef\]](#)
- Zocca, A.; Zwart, B. Minimizing heat loss in DC networks using batteries. In Proceedings of the 2016 54th Annual Allerton Conference on Communication, Control, and Computing (Allerton), Monticello, IL, USA, 27–30 September 2016. [\[CrossRef\]](#)
- Valencia, A.; Hincapie, R.A.; Gallego, R.A. Optimal location, selection, and operation of battery energy storage systems and renewable distributed generation in medium–low voltage distribution networks. *J. Energy Storage* **2021**, *34*, 102158. [\[CrossRef\]](#)
- Montoya, O.D.; Gil-González, W.; Rivas-Trujillo, E. Optimal Location-Reallocation of Battery Energy Storage Systems in DC Microgrids. *Energies* **2020**, *13*, 2289. [\[CrossRef\]](#)
- Grisales-Noreña, L.F.; Montoya, O.D.; Ramos-Paja, C.A. An energy management system for optimal operation of BSS in DC distributed generation environments based on a parallel PSO algorithm. *J. Energy Storage* **2020**, *29*, 101488. [\[CrossRef\]](#)
- Grisales-Noreña, L.F.; Montoya, O.D.; Gil-González, W. Integration of energy storage systems in AC distribution networks: Optimal location, selecting, and operation approach based on genetic algorithms. *J. Energy Storage* **2019**, *25*, 100891. [\[CrossRef\]](#)
- Vai, V.; Suk, S.; Lorm, R.; Chhlonh, C.; Eng, S.; Bun, L. Optimal Reconfiguration in Distribution Systems with Distributed Generations Based on Modified Sequential Switch Opening and Exchange. *Appl. Sci.* **2021**, *11*, 2146. [\[CrossRef\]](#)
- Cardoso, G.; Stadler, M.; Siddiqui, A.; Marnay, C.; DeForest, N.; Barbosa-Póvoa, A.; Ferrão, P. Microgrid reliability modeling and battery scheduling using stochastic linear programming. *Electr. Power Syst. Res.* **2013**, *103*, 61–69. [\[CrossRef\]](#)
- Zhang, Y.; Jia, Q.S. Operational Optimization for Microgrid of Buildings with Distributed Solar Power and Battery. *Asian J. Control* **2017**, *19*, 996–1008. [\[CrossRef\]](#)
- Luna, A.C.; Diaz, N.L.; Graells, M.; Vasquez, J.C.; Guerrero, J.M. Mixed-Integer-Linear-Programming-Based Energy Management System for Hybrid PV-Wind-Battery Microgrids: Modeling, Design, and Experimental Verification. *IEEE Trans. Power Electron.* **2017**, *32*, 2769–2783. [\[CrossRef\]](#)
- Home-Ortiz, J.M.; Pourakbari-Kasmaei, M.; Lehtonen, M.; Mantovani, J.R.S. Optimal location-allocation of storage devices and renewable-based DG in distribution systems. *J. Energy Storage* **2019**, *172*, 11–21. [\[CrossRef\]](#)
- Macedo, L.H.; Ortega-Vazquez, M.A.; Romero, R. Optimal operation of storage systems in distribution networks considering battery degradation. In Proceedings of the 2018 Simposio Brasileiro de Sistemas Eletricos (SBSE), Niteroi, Brazil, 12–16 May 2018. [\[CrossRef\]](#)



25. Gil-González, W.; Montoya, O.D.; Grisales-Noreña, L.F.; Cruz-Peragón, F.; Alcalá, G. Economic Dispatch of Renewable Generators and BESS in DC Microgrids Using Second-Order Cone Optimization. *Energies* **2020**, *13*, 1703. [\[CrossRef\]](#)
26. Gil-González, W.; Montoya, O.D.; Holguín, E.; Garces, A.; Grisales-Noreña, L.F. Economic dispatch of energy storage systems in dc microgrids employing a semidefinite programming model. *J. Energy Storage* **2019**, *21*, 1–8. [\[CrossRef\]](#)
27. Mansuwan, K.; Jirapong, P.; Burana, S.; Thararak, P. Optimal Planning and Operation of Battery Energy Storage Systems in Smart Grids Using Improved Genetic Algorithm Based Intelligent Optimization Tool. In Proceedings of the 2018 International Conference and Utility Exhibition on Green Energy for Sustainable Development (ICUE), Phuket, Thailand, 24–26 October 2018. [\[CrossRef\]](#)
28. Magnor, D.; Sauer, D.U. Optimization of PV Battery Systems Using Genetic Algorithms. *Energy Procedia* **2016**, *99*, 332–340. [\[CrossRef\]](#)
29. Boonluk, P.; Siritaratiwat, A.; Fuangfoo, P.; Khunkitti, S. Optimal Siting and Sizing of Battery Energy Storage Systems for Distribution Network of Distribution System Operators. *Batteries* **2020**, *6*, 56. [\[CrossRef\]](#)
30. Ikeda, S.; Ooka, R. Metaheuristic optimization methods for a comprehensive operating schedule of battery, thermal energy storage, and heat source in a building energy system. *Appl. Energy* **2015**, *151*, 192–205. [\[CrossRef\]](#)
31. Kai, H.; Yong-Fang, G.; Zhi-Gang, L.; Hsiung-Cheng, L.; Ling-Ling, L. Development of Accurate Lithium-Ion Battery Model Based on Adaptive Random Disturbance PSO Algorithm. *Math. Probl. Eng.* **2018**, *2018*, 1–13. [\[CrossRef\]](#)
32. Grisales, L.F.; Grajales, A.; Montoya, O.D.; Hincapie, R.A.; Granada, M.; Castro, C.A. Optimal location, sizing and operation of energy storage in distribution systems using multi-objective approach. *IEEE Lat. Am. Trans.* **2017**, *15*, 1084–1090. [\[CrossRef\]](#)
33. Aaslid, P.; Geth, F.; Korpås, M.; Belsnes, M.M.; Fosso, O.B. Non-linear charge-based battery storage optimization model with bi-variate cubic spline constraints. *J. Energy Storage* **2020**, *32*, 101979. [\[CrossRef\]](#)
34. Montoya, O.D.; Gil-González, W. Dynamic active and reactive power compensation in distribution networks with batteries: A day-ahead economic dispatch approach. *Comput. Electr. Eng.* **2020**, *85*, 106710. [\[CrossRef\]](#)
35. Berglund, F.; Zaferanlouei, S.; Korpås, M.; Uhlen, K. Optimal Operation of Battery Storage for a Subscribed Capacity-Based Power Tariff Prosumer—A Norwegian Case Study. *Energies* **2019**, *12*, 4450. [\[CrossRef\]](#)
36. Montoya, O.D.; Gil-González, W.; Grisales-Noreña, L.; Orozco-Henao, C.; Serra, F. Economic Dispatch of BESS and Renewable Generators in DC Microgrids Using Voltage-Dependent Load Models. *Energies* **2019**, *12*, 4494. [\[CrossRef\]](#)
37. Wu, J.; Wei, Z.; Liu, K.; Quan, Z.; Li, Y. Battery-Involved Energy Management for Hybrid Electric Bus Based on Expert-Assistance Deep Deterministic Policy Gradient Algorithm. *IEEE Trans. Veh. Technol.* **2020**, *69*, 12786–12796. [\[CrossRef\]](#)
38. Wu, J.; Wei, Z.; Li, W.; Wang, Y.; Li, Y.; Sauer, D.U. Battery Thermal- and Health-Constrained Energy Management for Hybrid Electric Bus Based on Soft Actor-Critic DRL Algorithm. *IEEE Trans. Ind. Inform.* **2021**, *17*, 3751–3761. [\[CrossRef\]](#)
39. Benson, H.Y.; Sağlam, Ü. Mixed-Integer Second-Order Cone Programming: A Survey. In *Theory Driven by Influential Applications*; INFORMS: Holland, MI, USA, 2013; pp. 13–36. [\[CrossRef\]](#)
40. Molina-Martin, F.; Montoya, O.D.; Grisales-Noreña, L.F.; Hernández, J.C.; Ramírez-Vanegas, C.A. Simultaneous Minimization of Energy Losses and Greenhouse Gas Emissions in AC Distribution Networks Using BESS. *Electronics* **2021**, *10*, 1002. [\[CrossRef\]](#)
41. dos Santos, C.; Cavalheiro, E.; Bartmeyer, P.; Lyra, C. A MINLP Model to Optimize Battery Placement and Operation in Smart Grids. In Proceedings of the 2020 IEEE Power & Energy Society Innovative Smart Grid Technologies Conference (ISGT), Washington, DC, USA, 17–20 February 2020. [\[CrossRef\]](#)
42. Li, J.; Liu, F.; Wang, Z.; Low, S.H.; Mei, S. Optimal Power Flow in Stand-Alone DC Microgrids. *IEEE Trans. Power Syst.* **2018**, *33*, 5496–5506. [\[CrossRef\]](#)
43. Garces, A. Uniqueness of the power flow solutions in low voltage direct current grids. *Electr. Power Syst. Res.* **2017**, *151*, 149–153. [\[CrossRef\]](#)
44. Montoya, O.D. A convex OPF approximation for selecting the best candidate nodes for optimal location of power sources on DC resistive networks. *Eng. Sci. Technol. Int. J.* **2020**, *23*, 527–533. [\[CrossRef\]](#)